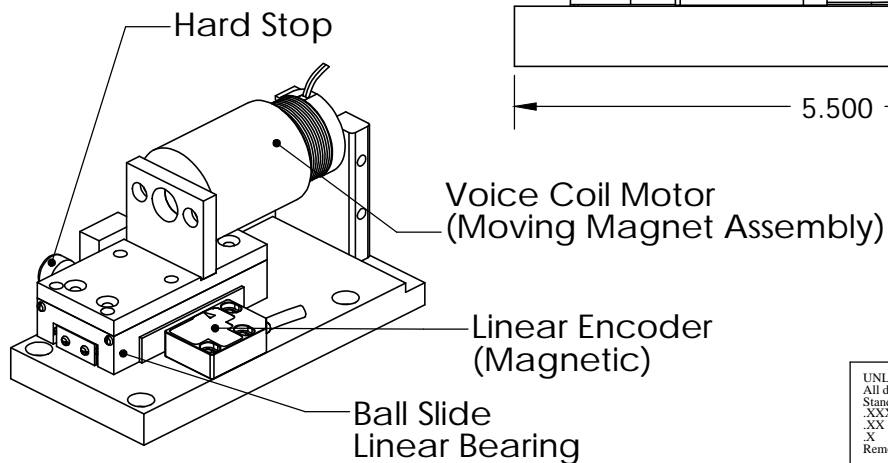
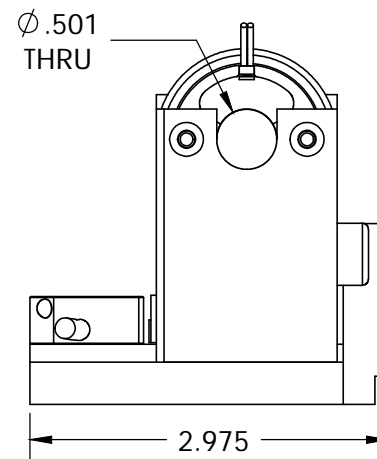
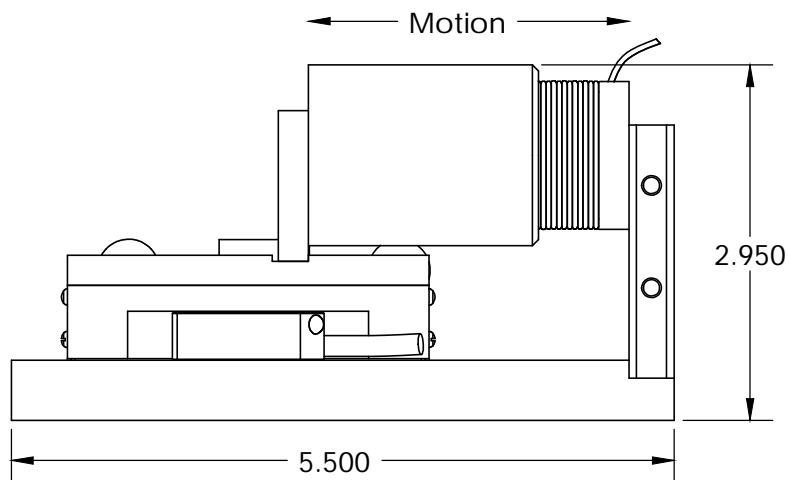
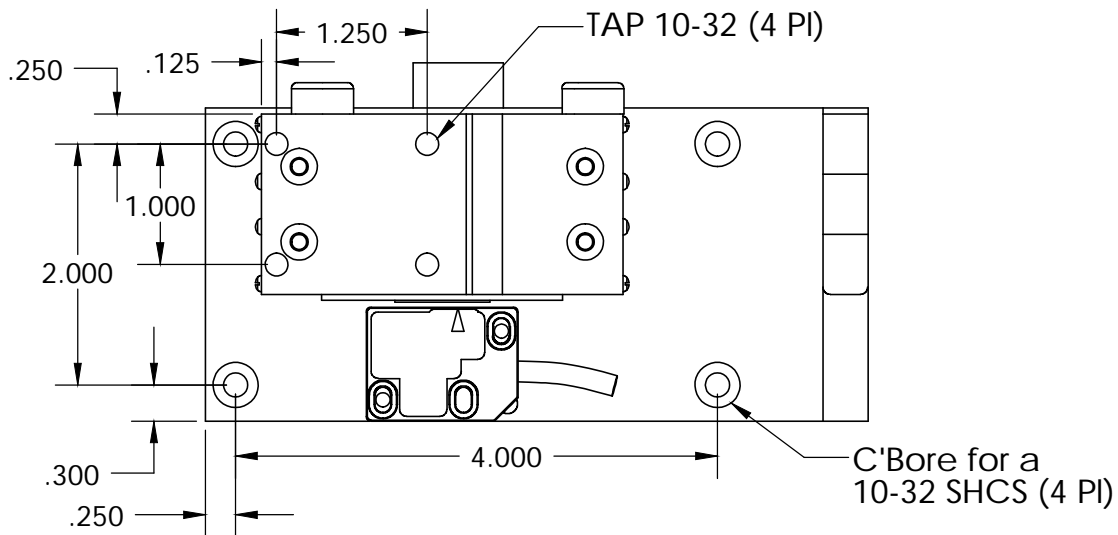


These drawings and specifications are the property of H2W Technologies, Inc. They are issued in confidence and shall not be reproduced, copied, or used without written permission from H2W Technologies, Inc. (www.h2wtech.com)

MOTOR HAS BEEN HIDDEN TO SHOW MOUNTING HOLES



UNLESS SPECIFIED OTHERWISE:
All dimensions are in inches
Standard Tolerances are as follows:
.XXX ±.005 ANGLES ±1°
.XX ±.010 FILLETS .010
.X ±.020 CORNERS .010
Remove All Burrs and Sharp Edges

MATERIAL		FINISH	
DRAWN	DATE	APPROVED	DATE
OOG	6-30-08	MPW	6-30-08

TITLE			
Voice Coil Positioning Stage			
Model #: VCS10-023-BS-01-M-H			
DWG #	REV	SHEET	
31-0078	---	1 of 2	

H2W Technologies, Inc.
26470 Ruether Ave #102 Santa Clarita, CA 91350 USA
Tel: (661) 251-2081 Fax: (661) 251-2067
www.h2wtech.com

VOICE COIL POSITIONING STAGE SPECIFICATIONS		
Motor P/N	NCC10-15-023-1H	
Stroke	1.00"	25.4 mm
Encoder Resolution	1 micron	
Bearing Type	Ball Slide	
Moving Mass	0.77 lbs	350 grams
Total Mass	1.75 lbs	793 grams
Resistance @ 20C	7.5 ohms	
Inductance @ 20C	3.3 mH	
Electrical Time Constant	0.44 msec	
Motor Constant	0.85 LBS/SQRT(Watt)	3.78 N/SQRT(Watt)
Force Constant	2.3 LBS/Amp	10.2 N/Amp
Back EMF	0.26 V/ips	10.2 V/m/sec
Continuous Force	2.3 LBS	10.2 N
Max Power @ 100% Duty	7 Watts	
Peak Force	6.9 LBS	30.7 N
Max Power @ 10% Duty	66 Watts	

TITLE		
Voice Coil Positioning Stage		
Model #: VCS10-023-BS-01-M-H		
DWG #	REV	SHEET
31-0078	---	2 of 2